

*A unique & innovative brand  
Make life easier  
Environment protection  
Quality commitment  
More energy efficient  
More good ideas*

COOLING — COOKING — CLEANING — LIVING

DOWNDRAFT



ISLAND



WALL MOUNTED



2 BURNER



3 BURNER



4 BURNER



5 BURNER



## LARGE LARDER



## MULTI FUNCTIONAL BASKETS



TOUCH CONTROL



BUILT IN DISHWASHER



EcoSmart

BUILT IN REFRIGERATOR



Green  
Technology  
inside



GRILL, FRYER, DOMINO



WARMERS

MICROWAVE OVEN



BUILT-IN OVENS



STEAMER

Our company products are approved by National & International authoritative accreditations including Pakistan Standards & Quality Control Authority, Government of Pakistan, Ministry of Science and Technology, GS, EMC, SAA, RoHS, CUS, CCC, CE



We deal in.....



### Why Built in?

Integrated appliances allow you to make the best possible use of the space available in your kitchen. By opting for built-in & integrated appliance, you can ensure a contemporary & united look across the whole room. In the past, people tended to make do with a series of miss-matched free standing appliances. Now everyone is realizing that integrated units offer the flexibility to create a sleeker & more stylish kitchen.

## BUILT-IN BARBEQUE & DEEP FRYER

Built in Barbeque & Deep Fryer are made from high-end stainless steel & fit smartly into your kitchen counter top, providing elegance & style along with the much desired variations in cooking. The convenient front control knobs allow you to regulate your cooking or barbequing. The deep fryer is equipped with an upgraded oil temp lamp set by thermostat and the barbeque boasts of a removable enameled griddle and lava stone. Add these much-loved trends of modern cooking to your kitchen and enjoy an exciting cooking experience.



### DEEP FRYER & BARBEQUE GRILL



## BG300ASS 30 cm Built-in Domino BBQ Grill

Front control operation  
Mechanical control  
S/S panel & S/S inner pot  
Energy regulator control  
Lava stone  
2 S/S Pins  
Input power : 2.3 KW

Product : W290mm x D510mm  
Cut-out: W270mm x D490mm



## BDF301ASS 30 cm Built-in Domino Deep Fryer

Front control operation  
S/S panel & S/S inner pot  
Removeable S/S inner bowl & basket  
Capacity: 3 liters  
Input power : 2.3 KW

Product : W290mm x D510mm  
Cut-out : W270mm x D490mm



## BGH302ASS 30 cm Built-in Domino Gas Hob

Front control operation  
Cast iron pan support  
Sabaf burners  
Stainless steel panel  
battery ignition

Product : W290mm x D510mm  
Cut-out : W270mm x D490mm





**Executive series** Digital Touch Control

**BG380CSS**  
**38 cm Built-in Grill**

Digital Touch control  
9 power Levels  
Digital Displays  
99 mint timer  
Child lock  
cast iron pan support  
lava stones  
input power 2.3 kw



**BDF383GL**  
**38 cm Built-in Deep Fryer**

Digital Touch control  
9 power Levels  
Digital Displays  
99 mint timer  
Child lock  
Removeable S/S bowel & basket  
Capacity 3.0 liters  
input power 2.3 kw



**BIN380SS**  
**38 cm Built-in Induction Hob**

Two zones  
Digital Touch control  
S/S & Glass panel  
9 power Levels  
Digital Displays  
99 mint timer  
Child lock  
Anti overheat  
Auto safety shut off  
Power 3.0 Kw

**BGD380CI**  
**38 cm Built-in Teppanyaki**

Digital Touch control  
Tow cooking zone  
Digital Displays  
can work separately  
Heavy cast iron griddle  
input power 3.0 kW



**BCH301SS**  
**30 cm Built-in Domino Ceramic Hob**

Front control operation  
Mechanical control  
Schott/Euro Kera ceramic glass  
E.G.O/EIKA heating element  
Residual heat indicating lights  
Tow heating zones  
input power 3.0 KW



**BHP301SS**  
**30 cm Built-in Domino Hot Plate**

Front control operation  
Mechanical control  
Tow heating elements  
Residual heat indicating lights  
Power 2.7 Kw



**BUILT-IN OVENS** EXPLORE THE CONVENIENT AND EFFICIENT WAY TO COOK

Our efficient and intelligent range of built-in ovens and microwave ovens offer you a host of contemporary cooking options, redefining your cooking experience employing the latest technology. Cooking with them is not faster, easier and healthier, but also more precise as it is electronically regulated. Available in combinations 7-10 independent cooking function to choose from, they allow you to save your cooking setting for repeated cycles. Made of high grade stainless steel, they are elegant as well as high durable and add a classy, futuristic look to your kitchen.



**BUILT-IN OVENS**



90cm Multifunction Oven



**BE 9706**  
**90 cm Built-in Oven**

9 Function programmer  
Radiant Rotisserie  
Radiant rotisserie + Fan  
Oven Capacity 70L

Defrost, Convection  
Conventional heat + Fan  
Double grilling rotisserie + Fan



Side Opening Door Range



**BE05606G**

8 Function programmer  
Force cooling System  
Reversible side door  
Double grilling rotisserie + Fan

Touch Control  
Smoke ventilation system  
Radiant rotisserie + fan  
Oven capacity 70 L

**BF065M1**

9 Function programmer  
8 cooking method  
Force cooling system  
Smoke ventilation system  
Radiant Rotisserie + Fan  
Double grilling rotisserie + Fan  
Oven Capacity 65 L



**OEG619-3CRSOH6**

Mechanical Control  
Radiant Rotisserie + Fan  
Double grilling rotisserie + Fan  
Oven Capacity 60 L  
Electric + Gas



**BF065E2**

8 Function programmer  
LED Display  
Rotisserie Function  
Radiant rotisserie + Fan  
Double grilling rotisserie + Fan  
Oven Capacity 59 L



**DZX18C-BN**  
**Built-in Steamer**

Digital electronic programmer  
Touch control with multi display  
Patented built-in water tank  
Patented automatic water filling system  
Overheated protection system  
Automatic shut off  
Oven capacity 33 L





## BUILT-IN DISHWASHERS

DISCOVER THE HASSLE-FREE FUTURE OF HYGIENIC KITCHENS

Our sleek and energy efficient built-in dishwashers fit smartly into your kitchen, adding a touch of modernity to your kitchen. Extremely hygienic and diligent, they are armed with an advanced mechanism and improved technology to remove even the most rigid stains left behind by eastern cooking. They are sensitive to different vessel materials and also ensure child safety when left unattended. Add a mix of style and convenience to your kitchen and live hassle-free.

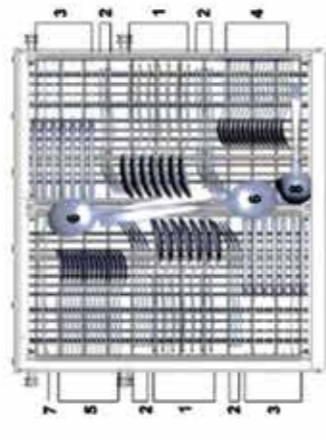


### BUILT-IN DISHWASHER

# Dishwasher

- 12 PLACE SETTING
- 14 PLACE SETTING
- ALT FUNCTION
- AUTO PROGRAM
- FREE STANDING
- BUILT-IN

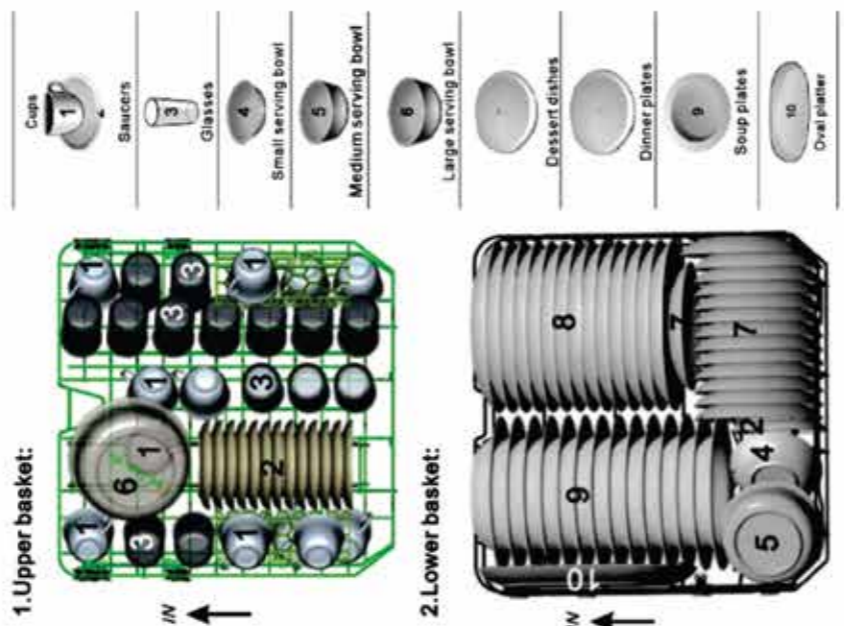
3. Cutlery basket:



- 1 Soup spoons
- 2 Forks
- 3 Knives
- 4 Teaspoons
- 5 Dessert spoons
- 6 Serving spoons
- 7 Serving forks
- 8 Gravy ladles

Information for comparability tests in accordance with EN 50242

Capacity: 14 place settings  
Position of the upper basket: lower position  
Programme: Eco  
Rinse aid setting: 6  
Softener setting: H4



## Free standing & Built-in



### BDWF14SS Silver inox

14 place setting  
6 programmes  
Electronic control with LED display  
Cleaning / Drying performance A/A  
Water overflow protection



### BDSI12SS

12 place setting  
5 programmes  
Electronic control with LED display  
Cleaning / Drying performance A/A  
Water overflow protection

### BDWFI401A

12 place setting  
5 programmes  
Electronic control with LED display  
Cleaning / Drying performance A/A  
Water overflow protection



### BDWFI411B

12 place setting  
7 programmes  
Electronic control with LED display  
Cleaning / Drying performance A/A  
Water overflow protection

## BUILT-IN REFRIGERATOR

FRESHNESS OF TASTE, WITH THE GOODNESS OF HEALTH

Experience the longer freshness and natural taste of your food, exactly as it is supposed to be, with our built-in refrigerators. An elegant and advanced refrigerator that lets you enjoy modern functionalities like precise temperature control for refrigerators and freezer, rapid cooling by ventilator activation, and better humidity control to prevent food from drying.



### BUILT-IN REFRIGERATOR



### BRBF122

Total gross capacity 122 liters  
Energy Class A+ A++  
Star Rating \*\*\*\*

Mechanical Temp control  
External condenser  
Reversible door with magnetic seal

## Built-in Combi Fridge Freezer

ROHS, WEEE, REACH & ERP COMPATIBLE



### BRB2713

Total gross capacity 259 liters  
Energy Class A+  
Star Rating \*\*\*\*

Electronic Temp control  
External condenser  
Reversible door with magnetic seal



### BRB2081

Total gross capacity 208 liters  
Energy Class A+  
Star Rating \*\*\*\*

Electronic Temp control  
External condenser  
Reversible door with magnetic seal

### BRBL132

Total gross capacity 135 liters  
Energy Class A+ A++  
Star Rating \*\*\*\*

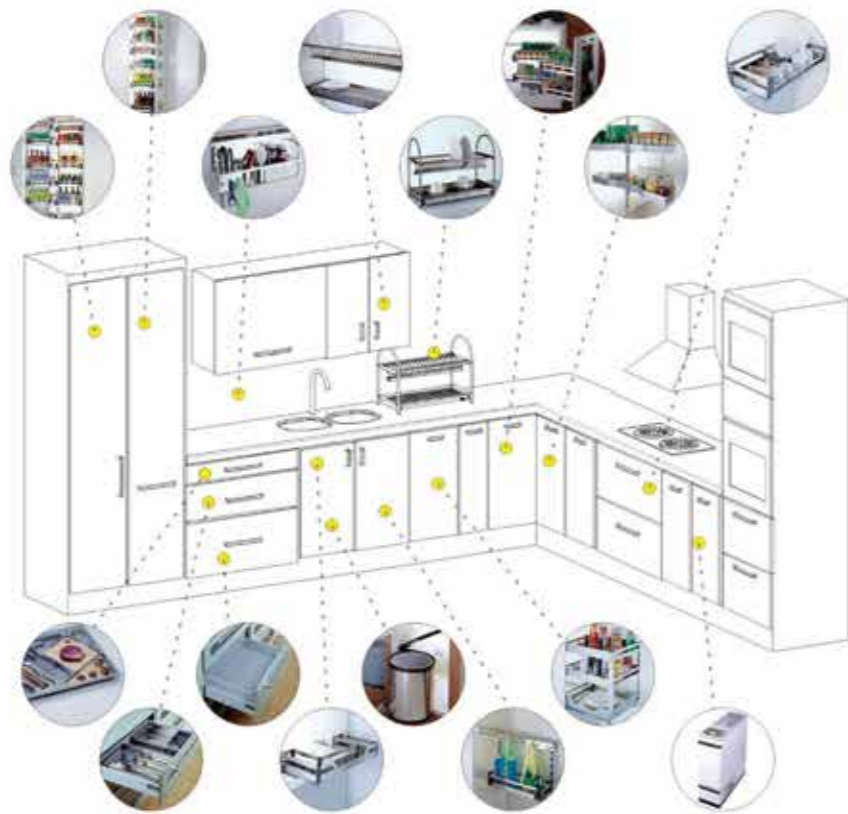
Mechanical Temp control  
External condenser  
Reversible door with magnetic seal





As the home of appliances, cookware and every specialty gadget under the sun, the kitchen is and always will be a perplexing place to organize. The never ending accessories and endless food cans, boxes and bags easily fill up every nook and cranny, especially in a not so big kitchen

Homelech users have been finding and creating innovative organization techniques to help solve their kitchen dilemmas, from storing pots and pans to organize a mess walk-in pantry. The favorite solutions below, see if one of them will inspire an idea for your own kitchen.



How to manage the grocery

We have a lot of range in kitchen hardware,

- Dustbins
- Drawer baskets
- Revolving baskets
- Side drawer baskets
- Multifunction baskets
- Large larder
- Wall hanging racks
- Plate racks



Model: PTJ022

Model: FS-8

Model: GSPTJ022



Model: PTJ010



Model: PTJ0101



Model: PTJ023G



Spice & Oil Rack



Model: PTJ005



Model: PTJ880



Model: PTJ007A



Spice Jars

For more product, please visit [www.hometech.pk](http://www.hometech.pk)

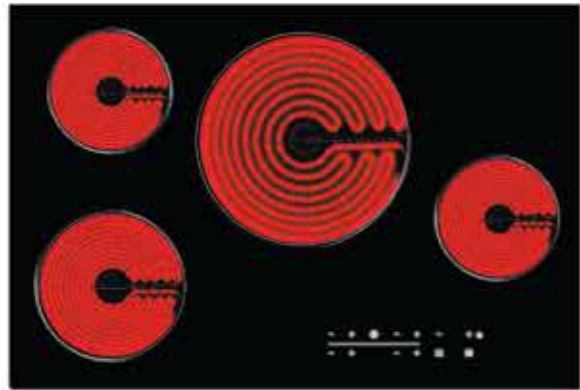
## BUILT-IN HOBS

RESHAPING THE FUTURE OF EFFICIENCY, SAFETY AND CONTROL

Equipped with the latest technologies in the market, our built-in hobs meet your daily cooking needs with enhanced efficiency. They come with an advanced auto-ignition function that prevents the leakage of gas during the eventually of the burner flame going off. They are built into the kitchen counter, leaving no risk of food residues collecting underneath. Once installed, they are convenient to operate and easy to maintain. They look great, cook faster and remain with you for a long time.



### BUILT-IN HOBS



#### BCH6702

77cm built-in ceramic hob  
Touch control  
Automatic safety switch off

Residual heat indicators  
9-stage power setting  
Child lock



#### HT-1325

5-burners stainless steel panel  
Cast iron pan supports  
New Model



#### HT-555

3 gas burners, 3 rapid  
cast iron pan supports



#### HT-1025

5 gas burners  
cast iron pan supports



#### HT-609

3 gas burners, 3 rapid  
cast iron pan supports



#### HT-825

5 gas burners  
cast iron pan supports

#### HT-999

3 burner stainless steel panel  
10 additional copper fire nozels  
cast iron pan supports



#### HT-408

3 burner stainless steel panel  
cast iron pan supports



#### HT-A55

3 burner stainless steel panel  
enamelpan supports



#### HT-A100

3 burner stainless steel panel  
cast iron pan supports



#### HT-A50

3 burner stainless steel panel  
enamelpan supports





**GAS STOVE**  
with TEMPERED GLASS series



# YOU ARE WHAT YOU BREATHE

We are what we see and touch, above all, we are what we imagine. We are really ourselves when we sense the world around us with our eyes closed and in silence. We are air, flying over our space. No limits, no weights. We are free like the sky, flying just for a moment, from the West to the East, from the North to the South. Still and hovering, while new air flows through us. We are open, brave and proud of being ourselves. Lovers of beauty and design. Lovers of the home, its rooms and stories, its light and reflections. Lovers of gravityless technology. We are sky, air, flying, space. We are new air, we are what we breathe. We are **Homotech**. And you are like us.



**HT-1516**  
5 gas burners  
1 dual work burner  
1 rapid, 2 standard, 1 economy burner  
cast iron pan supports



**HT-1517**  
5 gas burners  
1 dual work burner  
1 rapid, 2 standard, 1 economy burner  
cast iron pan supports



**HT-809**  
3 gas burners  
2 rapid, 1 economy burner  
cast iron pan supports



**HT-688**  
3 gas burners  
2 rapid, 1 economy burner  
enamel pan supports

## HT-X8 / 012C

- Stainless steel & toughened glass
- 3 speed soft touch control
- Auto open & close with timer
- LED light 2x2W
- Double chimney
- Air outlet 150mm
- Noise: 58
- Aluminum exhaust pipe 2m
- Ducted & recirculated air operation
- Air Capacity: 900m<sup>3</sup>/h

## Dicaryan Drive

- 
**Core power double wind wheel**  
 Leading technology /min Exhaust Volume 17 cubic meters of low-wheeled design, strong suction. The wind wheel is the core technology of hood, double wind wheel coaxial machine than the traditional single wind wheel hood is greatly enhanced. The negative pressure space & the smoke chamber space, so that the fume emission rapidly. The net absorption effect To 99.9%.
- 
**Super suction wind wheel**  
 We have been committed to the kitchen electricity enterprise. Through the research & the market continued. Research, is to do a thorough clean, healthy without fumes from the kitchen, developed a diameter Large wind turbine (28cm, than ordinary hood wind wheel diameter 8cm) suction strong, really no cooking fume.
- 
**28# motor**  
 The motor uses the high quality steel materials, imported NSK bearing. Weighing 4KG is generalGeneral Motors low weight. For the wind wheel wind luxurious lamp block machine series, is Guarantee super suction.
- 
**LED energy saving lamp**  
 Security is not hot, use Long service life.



red dot design  
award winner 2014

The kitchen remains the center of our homes, it is where we eat and talk, where we work and play. And at its heart, whether as a beautiful expression of our design or discretely hidden within its surroundings, an **Homotech** cooker hood, quietly and efficiently purifying the air and illuminating the cook top, so you can enjoy clean air, bright light

## COOKER HOODS

ENTER THE AGE OF NO-FUMES & ODOUR-FREE KITCHENSETR

Our efficient and stylish range of cooking hoods are here to modernize the eastern cooking space. With an innovative and modern design, a stainless steel body brightened with LED lights, they add a futuristic touch to your kitchen.

Easy to install and operate, with full touch controls, they are designed to ensure usability & efficiency like never before. They can be conveniently adjusted as per your cooking needs, to provide optimum performance, at minimal cost.



## COOKER HOODS



### BDR901SS

90 cm Down Draft hood  
Black glass & 430 S/S  
2 x 14w neon tube hob lamp  
4 speed touch control, slide control  
Automatic down & up  
1x5 aluminum filters

### DOWN DRAFT COOKER HOOD

Down Draft Cooker Hood presents a stunning solution for the minimalist kitchen. The hood has an extraction rate of 900 m<sup>3</sup>/h and a maximum noise level of 64db. Lighting is provided by remote control & a 14 watt Neon tow tubes giving good visibility while cooking.



### HT-999

Island Hood  
3 speed soft touch buttons  
LED lights 4x20W  
Ducted & recirculated air operation  
Air capacity 900m<sup>3</sup>/h



### HT-CY28C

Island Hood  
3 speed soft touch buttons  
LED lights 4x20W  
Ducted & recirculated air operation  
Air capacity 900m<sup>3</sup>/h



### Power in Versatility

Our hood are individually designed to compliment any kitchen and coordinate perfectly with ovens. We offer a wider variety than ever from unique designer hood to stylish chimney.



### Ultra-efficient extraction

The high speed powerful motor within this cooker hood means that odours are quickly extracted from your kitchen, leaving the air clean and fresh.



### Whisper quiet in operation

Thanks to innovative technology, hometech cooker hood are whisper quiet in operation meaning your kitchen is cleared of cooking odours efficiently and quietly.



### The importance of Style

Whether you prefer to be discreet or to make a bold statement in the kitchen, we can help you choose a cooker hood that suits your style.



### HT-GI9013



### HT-ART2

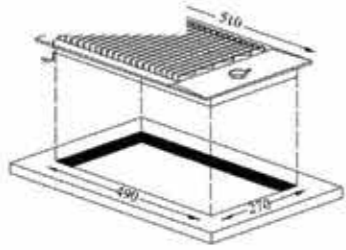


### HT-777

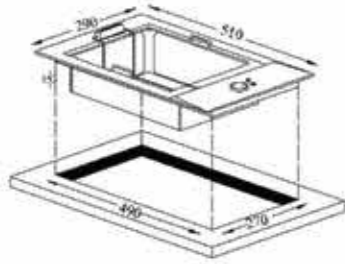


### HT-111

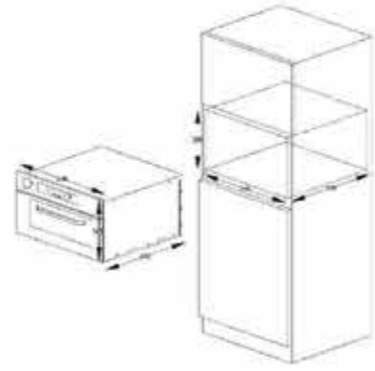
BG300ASS



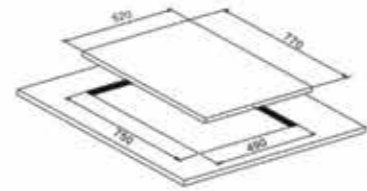
BDF301ASS



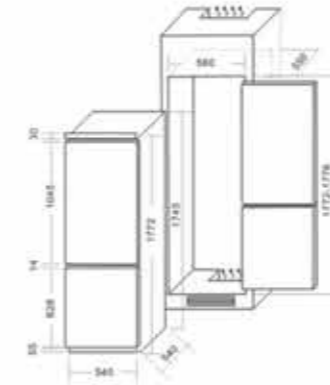
DZX18C-BN



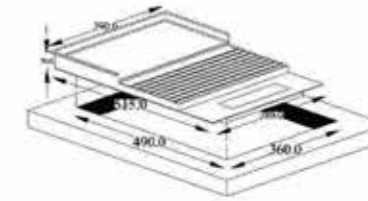
BCH6702



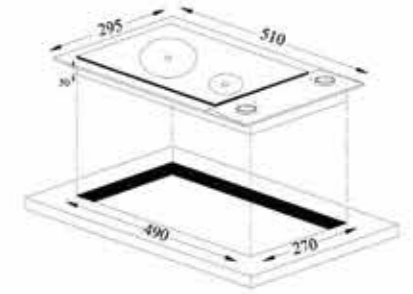
BRB2713



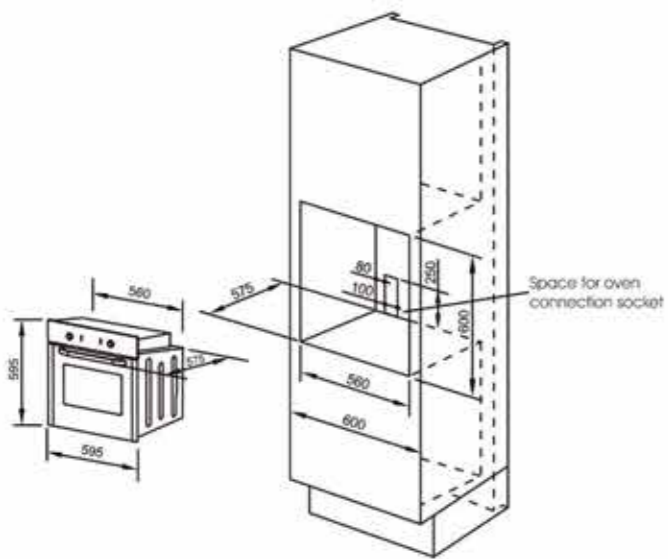
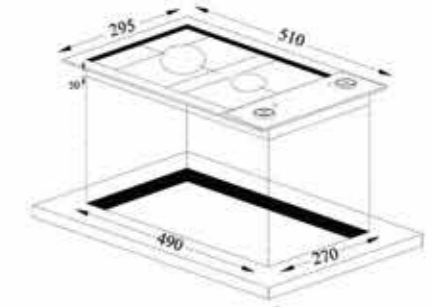
BGD380C1



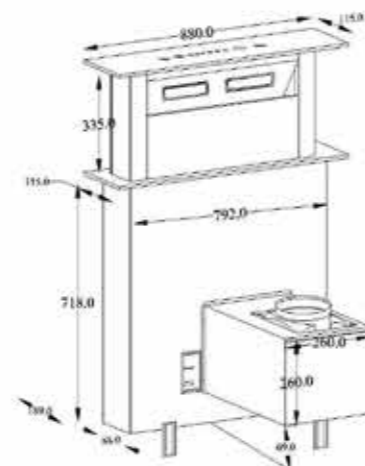
BHP302SS-A



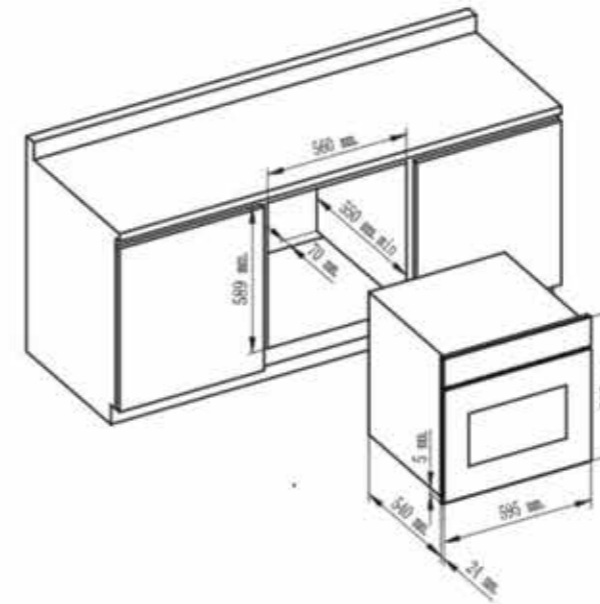
BHG322-SS



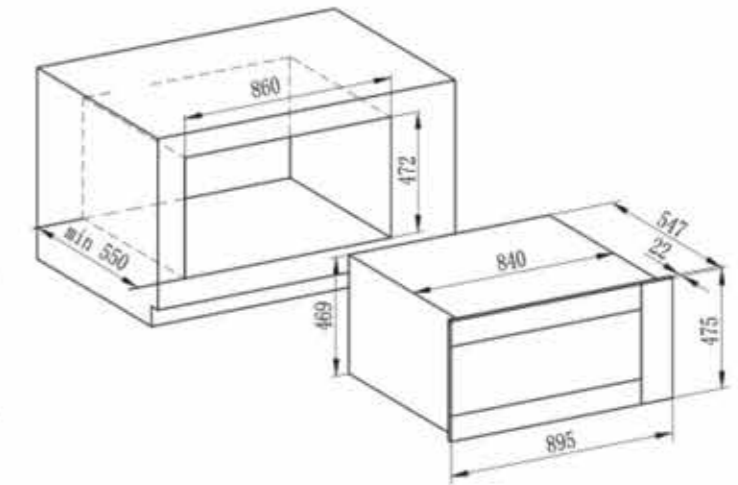
Built in oven



Down Draft Hood



Built in oven

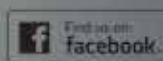


90cm Built-in oven



NEXT GENERATION  
BUILT-IN  
APPLIANCES

'15



Find us on  
facebook

[www.hometech.pk](http://www.hometech.pk)

Home**tech**